



Lochinvar®

HIGH EFFICIENCY BOILERS & WATER HEATERS

INDIRECT PLATE & FRAME WATER HEATER

Submittal Sheet

IPW-Sub-05

Job Name: _____

Model No. _____

Location: _____

Type Gas: _____

Engineer: _____

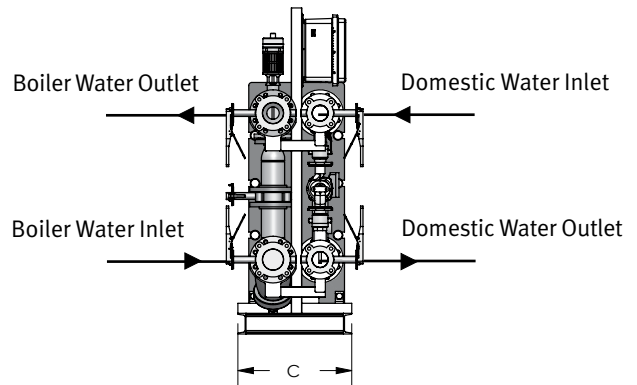
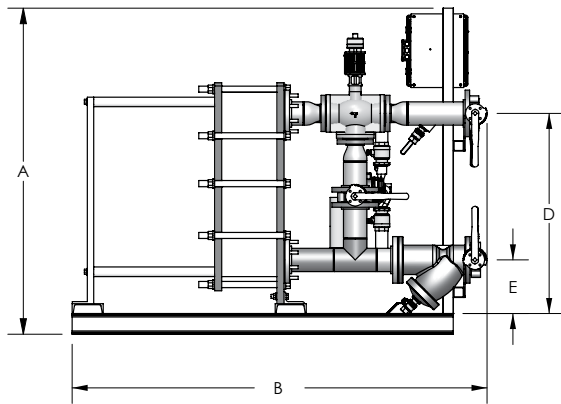
Equipment Tag(s): _____

Agent/Wholesaler: _____

Contractor: _____

NOTES:

INDIRECT PLATE AND FRAME DIMENSIONS AND SPECIFICATIONS



Model Number	A	B	C	D	E	Boiler Side	Domestic Side	Shipping Weight(lbs)
IPW015DW	56"	40-3/4"	15"	32-5/8"	7-1/2"	2"	2"	750
IPW030DW	56"	46-5/8"	15"	32-5/8"	7-1/2"	2"	2"	900
IPW050DW	56"	46-5/8"	15"	32-5/8"	7-1/2"	2"	2"	1075
IPW070DW	63"	55-1/2"	22"	38-3/4"	10-3/8"	3"	2"	1225
IPW090DW	63"	59-3/4"	22"	38-3/4"	10-3/8"	3"	3"	2020
IPW105DW	63"	65-7/8"	22"	38-3/4"	10-3/8"	4"	3"	2175
IPW120DW	63"	65-7/8"	22"	38-3/4"	10-3/8"	4"	3"	2258

Standard Features

ASME Double Wall Heat Exchanger

- 316L Stainless Steel
- 150 psi Working Pressure

Digital Display

- DHW Set Point Range 90°F to 180°F

Advanced Temperature Control

Modulating Control Valve

Scale Reducing Pump

Automatic Air Vent

ASME Temperature & Pressure Relief Valve

- 210°F and 150 psi

Adjustable High Limit

Wye Strainers - Domestic Piping and

Boiler Piping

Isolation Valves - Domestic Piping and Boiler Piping

Modbus Communication

See Warranty for Details:

5 Year Limited Warranty

1 Year Parts Warranty



Lochinvar®

HIGH EFFICIENCY BOILERS & WATER HEATERS

Lochinvar, LLC
 300 Maddox Simpson Parkway
 Lebanon, Tennessee 37090
 P: 615.889.8900 / F: 615.547.1000
 f in v Lochinvar.com

