

EPIC[®]

FIRE TUBE

**HIGH EFFICIENCY
CONDENSING BOILERS**

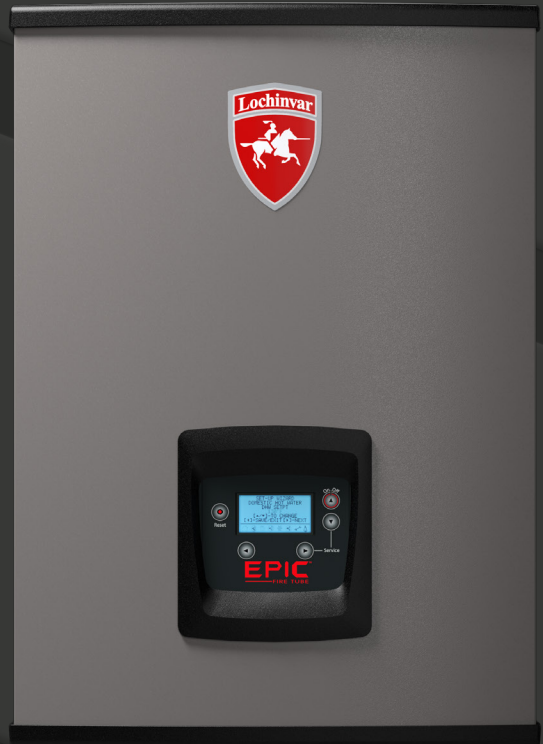
4 WALL MOUNT MODELS FROM
80,000 TO 199,000 BTU/HR

95% AFUE

10:1 TURNDOWN RATIO

EASY INSTALLATION AND SERVICEABILITY

FEATURES  **SMART CONTROL**[™]
OPERATING CONTROL



STEP UP WITH EPIC

**NOW FEATURING 2" VENTING ON ALL MODELS. EASILY REPLACE
EXISTING EQUIPMENT AND REDUCE INSTALLATION COSTS**



LOCHINVAR'S EPIC® RESIDENTIAL BOILER

With the EPIC fire-tube boiler, Lochinvar now offers one of the broadest lines of residential condensing boiler products in the industry. The EPIC boiler delivers performance far beyond other value-priced residential boilers in its class. It touts several of the industry-leading features first pioneered by Lochinvar's KNIGHT boiler—the top-selling residential boiler since 2005 and still the leading premium solution in hydronic heating.



VALUE PRICED AT THE TOP OF ITS CLASS

Step up from a traditional cast iron boiler to a high efficiency design with the EPIC. It comes with many standard features, including a Universal Vent Connector—a multi-material connector that allows for PVC, CPVC, polypropylene and stainless-steel connections directly into the unit. It also offers a 10:1 turndown ratio, a built-in cascading sequencer for up to eight units, and Lochinvar's revered SMART CONTROL™ system, the gold standard for boiler control systems that includes an intuitive setup wizard and text-based display.

COMPETITIVE COMPARISON

COMPETITION	DISPLAY	HEAT EXCHANGER	VENT CONNECTOR	MODULATION TURNDOWN	DESIGNED, ENGINEERED AND ASSEMBLED IN THE USA
EPIC FIRE TUBE	ENGLISH	FIRE TUBE HEAT EXCHANGER	UNIVERSAL VENT CONNECTOR	10:1	YES
BRAND B	CODES	FIRE TUBE HEAT EXCHANGER	VENT ADAPTERS NEEDED	UP TO 10:1	YES
BRAND N	CODES	FIRE TUBE HEAT EXCHANGER	VENT ADAPTERS NEEDED	UP TO 15:1	NO
BRAND V	CODES	WATER TUBE HEAT EXCHANGER	VENT ADAPTERS NEEDED	10:1	NO

EPIC[®]

FIRE TUBE



EPIC FEATURES

1 UNIVERSAL VENT CONNECTOR

Multi-material connector allows either PVC, CPVC, polypropylene or stainless steel connection directly to the appliance without adapters. EPIC also has a built-in combustion analyzer port.

2 2 INCH VENT ON ALL MODELS UP TO 50 FEET AND 3 INCH VENT UP TO 100 FEET

Offers five venting options. It permits direct-vent air intake and exhaust runs up to 100 equivalent feet (3" vent) and up to 50ft. (2" vent) using either PVC, CPVC, polypropylene or AL29-4C stainless steel vent pipe.

3 ADVANCED NEGATIVE REGULATION TECHNOLOGY

Safely and reliably operates with supply gas pressure as low as 4 inches water column. Its negative regulation (neg/reg) technology eliminates mechanical dampers as it automatically adjusts fan speed to ensure the correct volume and mix of fuel and air throughout the firing range.

4 FIRE-TUBE HEAT EXCHANGER

Low pressure drop saves on pump operation costs and provides installation flexibility, while stainless steel fights off corrosion.

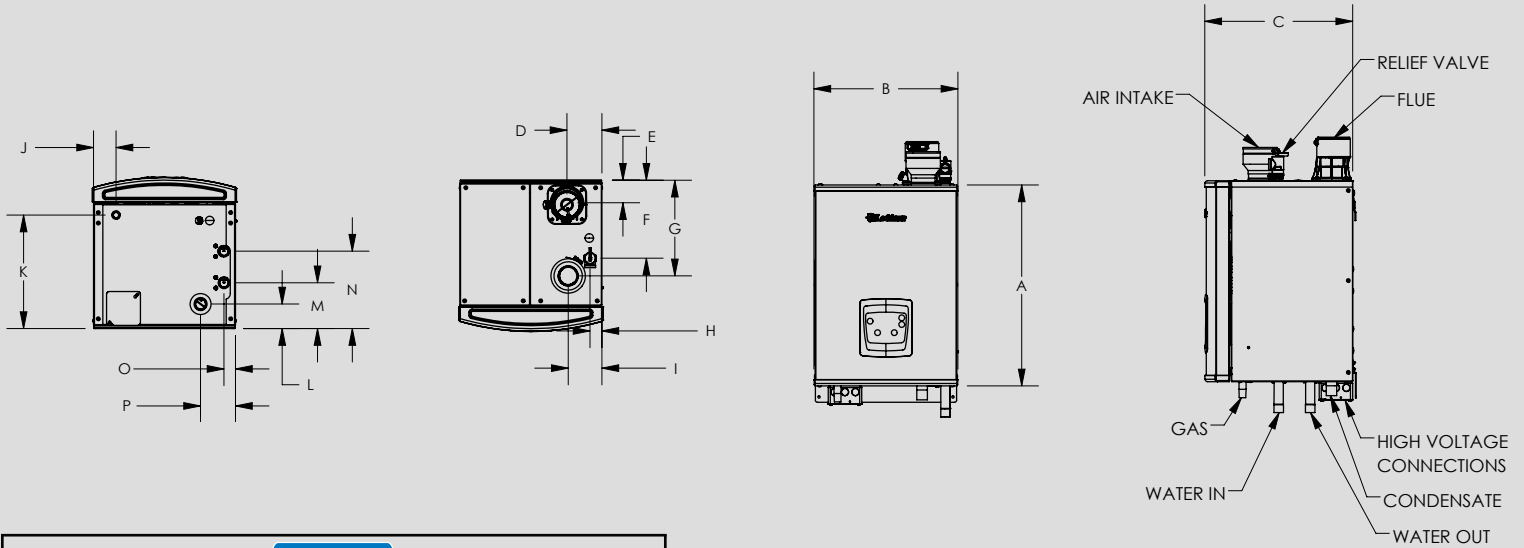


ALWAYS LEADING THE CHARGE

The EPIC residential boiler is the perfect hydronic heating solution for homeowners seeking the reliability, ease of installation, and engineering prowess of a Lochinvar high efficiency product. The EPIC boiler is available in four sizes: the EPB080N with max input of 80,000 BTU/hr, the NKB110N with max input of 110,000 BTU/hr, the RPB150N with max input of 150,000 BTU/hr and the EPB199N with a max input of 199,000 BTU/hr.

The EPIC boiler was designed for durability with 95% AFUE efficiency, a fire-tube stainless steel heat exchanger, and a 10/5 (heat exchanger/parts) warranty. The EPIC boiler is also engineered with installation and serviceability in mind, including a simple layout and construction as well as technical support from Lochinvar professionals.

EPIC BOILER DIMENSIONS AND SPECIFICATIONS



Input MBH		AFUE%		Heating Capacity MBH	Net AHRI Rating MBH	A	B	C	D	E	F	G	H
Model Number	Max	Min											
EPB080N	80	8.3	95.0	74	64	24"	17-1/4"	17-1/4"	2-1/4"	5-1/8"	8-1/2"	5-1/8"	1-1/2"
EPB110N	110	11	95.0	102	89	24"	17-1/4"	18"	2-3/4"	2-7/8"	9"	5-1/2"	2-7/8"
EPB150N	150	15.0	95.0	139	125	24"	17-1/4"	18"	4-1/2"	2-3/4"	9-1/8"	11-3/4"	4-1/2"
EPB199N	199.9	19.9	95.0	185	161	24"	17-1/4"	18"	4-1/8"	2-3/4"	9-3/8"	11-1/2"	4"

Model Number	I	J	K	L	M	N	O	P	Gas Conn.	Water Conn.	Air Inlet	Vent Size	Shipping Wt. (lbs.)
EPB080N	1-1/2"	6-3/8"	12-5/8"	5-1/8"	4-5/8"	8-1/2"	1-1/2"	14-3/4"	1/2"	1"	2"	2"	120
EPB110N	2-7/8"	7-3/4"	13-1/8"	2-7/8"	5-1/2"	9"	2"	14-1/4"	1/2"	1"	3"	3"	126
EPB150N	4-1/2"	2-7/8"	13-1/8"	3"	5-3/8"	9-1/8"	1-7/8"	4-5/8"	1/2"	1"	3"	3"	132
EPB199N	4"	2-3/4"	13-1/2"	2-7/8"	5-1/2"	9-1/4"	1-3/8"	1-3/8"	1/2"	1"	3"	3"	140

Information subject to change without notice. Change "N" to "L" for LP gas models. The Net AHRI Water Ratings shown are based on a piping and pickup allowance of 1.15. Lochinvar should be consulted before selecting a boiler for installations having unusual piping and pickup requirements, such as intermittent system operation, extensive piping systems, etc. The ratings have been determined under the provisions governing forced draft burners.

SMART CONTROL™ FUNCTIONS AND FEATURES

SMART CONTROL™ FEATURES

- ▶ **SMART CONTROL Digital Operating Control**
LCD Display with words not codes
- ▶ **Outdoor Reset Control with Outdoor Air Sensor**
- ▶ **Domestic Hot Water Prioritization**
Separately Adjustable Space Heat/DHW Switching Times
- ▶ **Programmable System Efficiency Optimizers**
Space Heating Max Rate Limiting
Anti Cycling
Outdoor Air Reset Curve
- ▶ **Three Pump Control**
System Pump
Boiler Pump
DHW Pump
- ▶ **High-Voltage Junction Box**
120 VAC / 60 Hertz / 1 Phase Power Supply
- ▶ **Low Voltage Terminal Strip**
Flow Switch Contacts
Tank Sensor Contacts
SH Thermostat Contacts
DHW Thermostat Contacts
Low-Water Cutoff Connection
System Sensor Contacts
Outdoor Air Sensor Contacts
Cascade Contacts

- ▶ **Time Clock for Data Logging**
Last 10 Lockouts
- ▶ **Low-Water Flow Safety Control & Indication**
- ▶ **Password Security**
- ▶ **Built-in Cascading Sequencer for up to 8 units**
Multiple Size Boiler Cascade

STANDARD FEATURES

- ▶ **Modulating Burner with 10:1 Turndown**
Direct-Spark Ignition
Low-NOx Operation
- ▶ **ASME Stainless Steel Heat Exchanger**
- ▶ **Vertical & Horizontal Direct-Vent**
PVC, CPVC, Polypropylene or SS Venting
up to 100 feet
- ▶ **Condensate Trap**
- ▶ **California Code Compliant**
- ▶ **Other Features**
Automatic Reset High Limit
Adjustable High Limit w/Manual Reset
Wall-Mount Bracket
Zero Clearances to Combustible Materials
10-Year HEX Warranty (See Warranty for Details)
5-Year Parts Warranty

OPTIONAL EQUIPMENT

- Low-Water Cutoff w/Manual Reset & Test
- Concentric Vent Kit
- Condensate Neutralization Kit
- Sidewall Vent Termination
- Floor Stand
- Wireless Outdoor Sensor
- Natural to LP Gas Conversion Kit



Lochinvar, LLC
300 Maddox Simpson Parkway
Lebanon, Tennessee 37090
P: 615.889.8900 / F: 615.547.1000
Lochinvar.com



iPhone and iPod touch are trademarks of Apple Inc., registered in the U.S. and other countries. Android and Google are trademarks of Google Inc., registered in the U.S. and other countries. App Store is a service mark of Apple Inc. Google Play is a service mark of Google Inc.