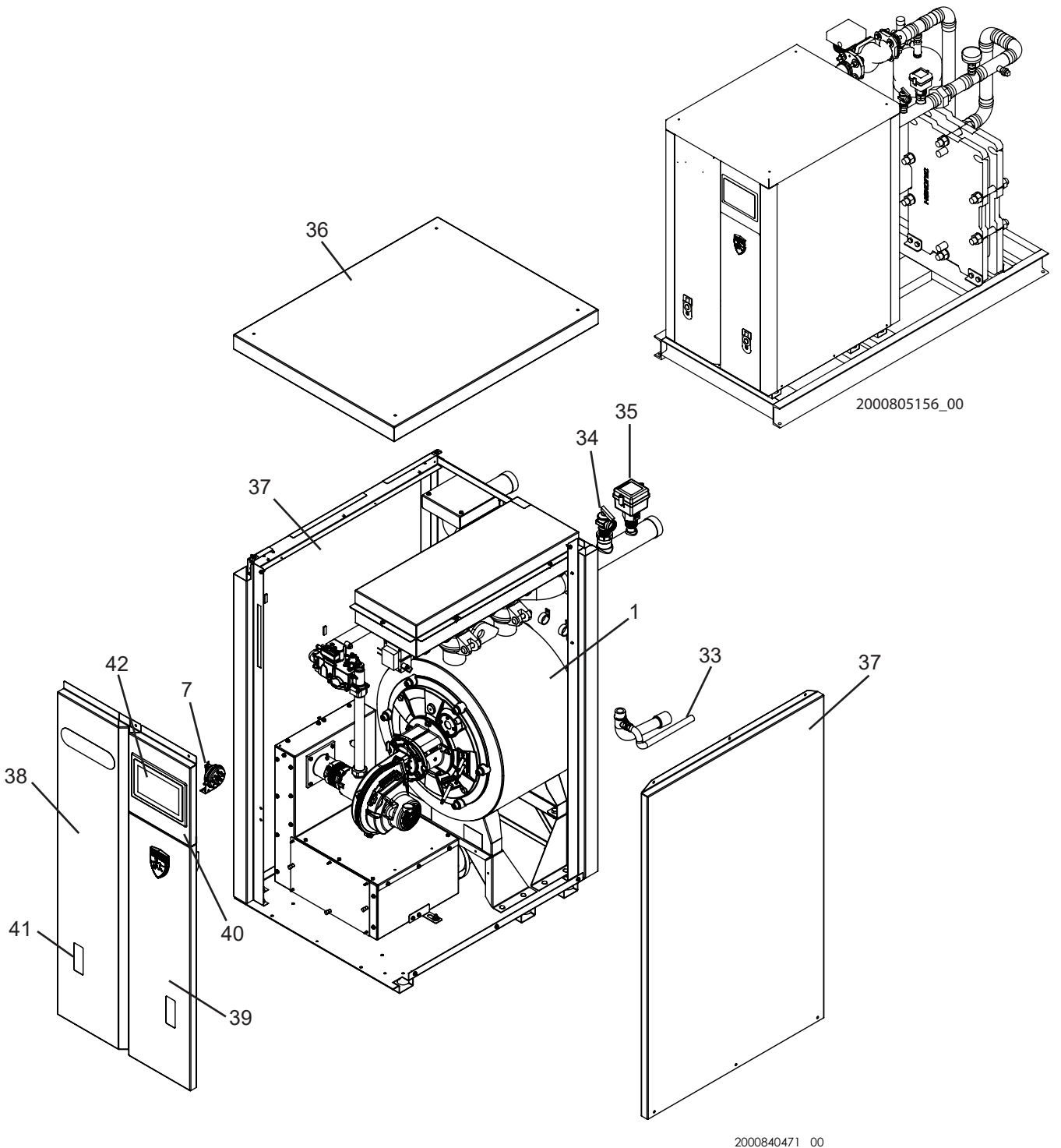




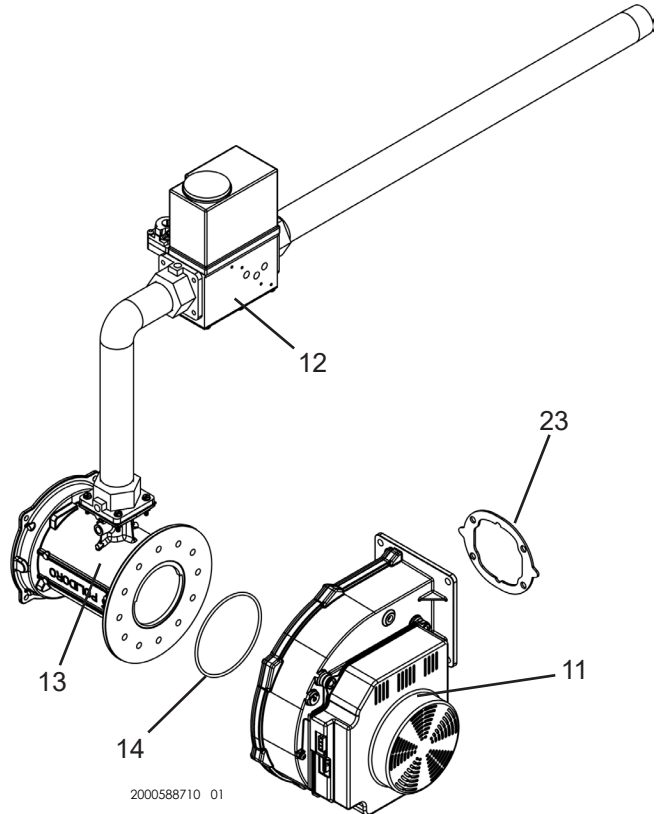
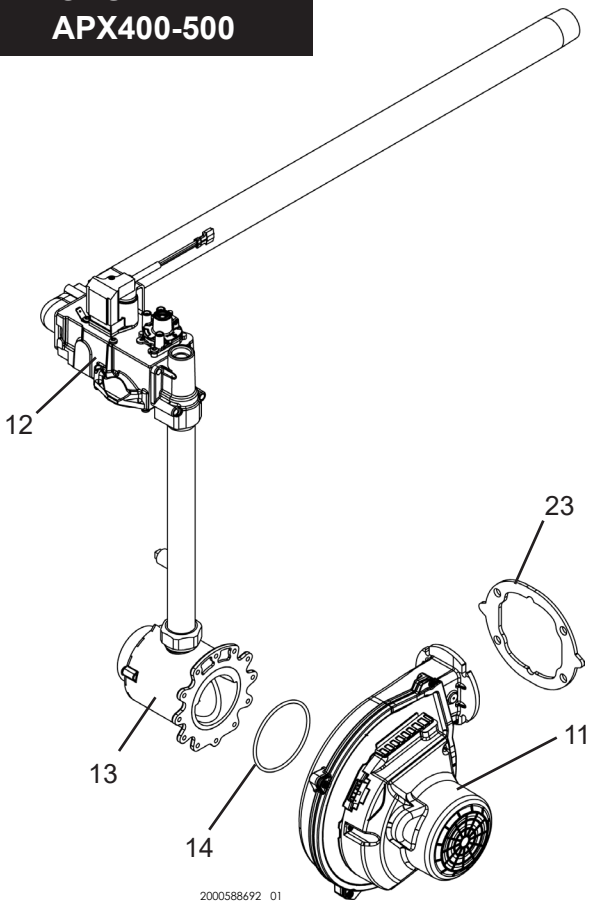
Replacement Parts List

PARTS & SERVICE DEPARTMENT
 Nashville, Tennessee
 877-554-5544 • Fax: 615-882-2918
 parts_team@lochinvar.com
 www.Lochinvar.com

Aquas™ Commercial Pool Package APX0400 - 1000

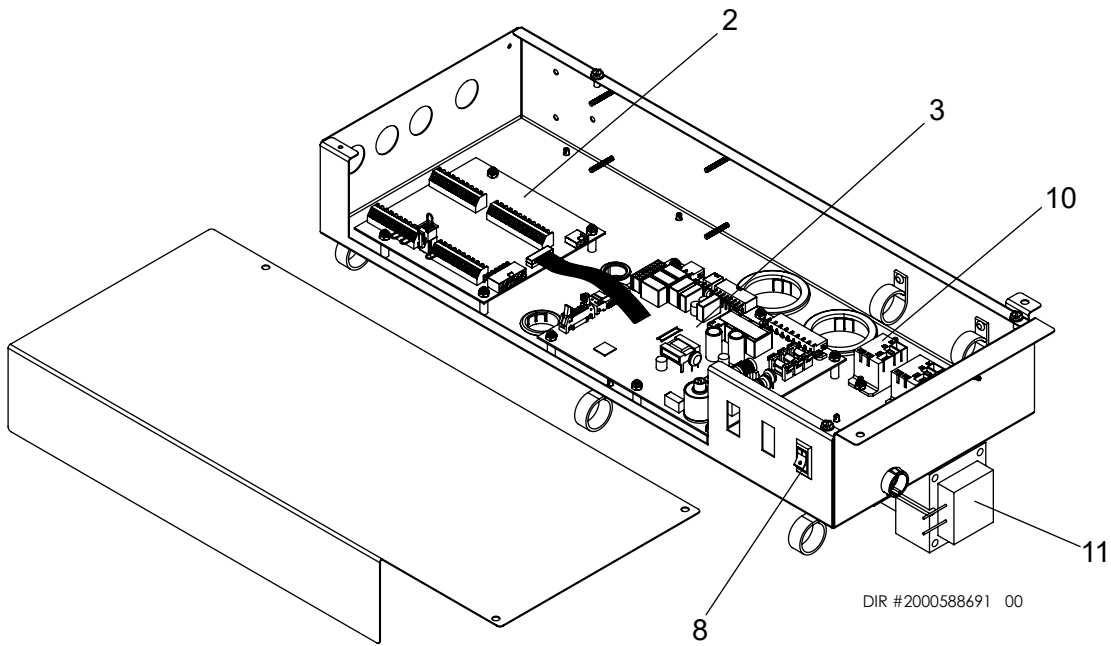


**GAS TRAIN
APX400-500**

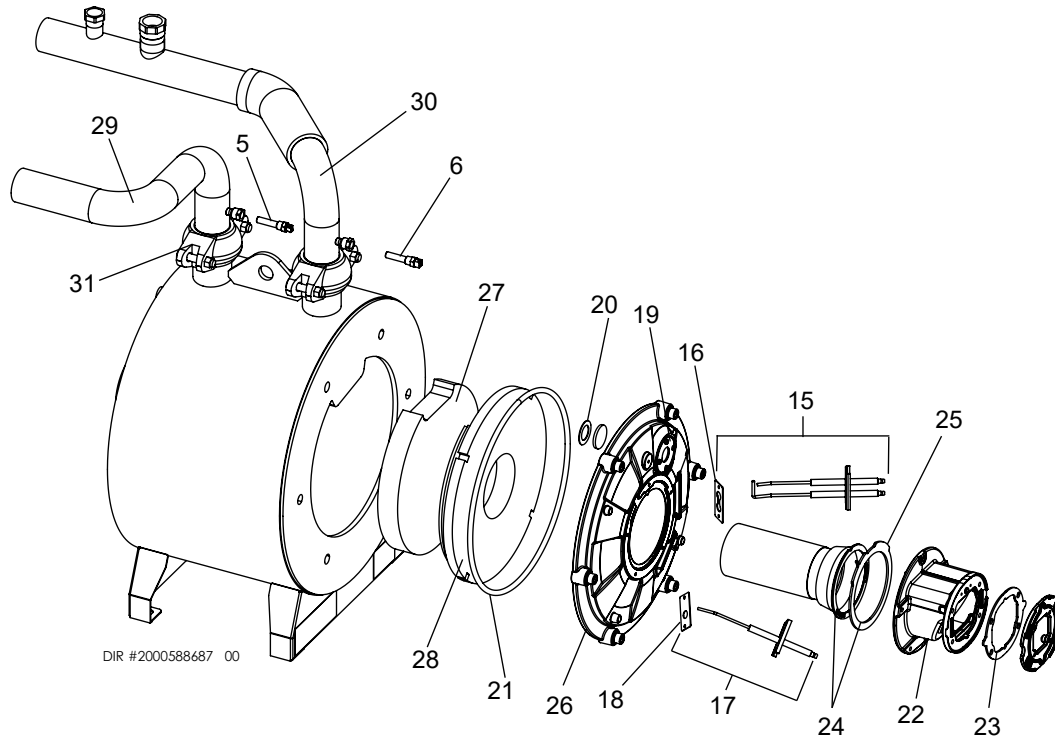


**GAS TRAIN
APX0650-1000**

CONTROLS



HEAT EXCHANGER



ITEM NO.	PART NO.	DESCRIPTION	MODEL
HEAT EXCHANGER ASSEMBLIES			
1	100330273	HEAT EXCHANGER ASSEMBLY	APX0400
1	100330274	HEAT EXCHANGER ASSEMBLY	APX0500
1	100330275	HEAT EXCHANGER ASSEMBLY	APX0650
1	100330276	HEAT EXCHANGER ASSEMBLY	APX0800
1	100330277	HEAT EXCHANGER ASSEMBLY	APX1000
1	100383463	HEAT EXCHANGER ASSEMBLY, INDIRECT	APX0400-0650
1	100383464	HEAT EXCHANGER ASSEMBLY, INDIRECT	APX0800-1000
CONTROLS			
2	100208459*	LOW VOLTAGE CONNECTION BOARD, PRIOR SERIAL #2148	ALL
2	100351933	LOW VOLTAGE CONNECTION BOARD, BEG SERIAL #2148	ALL
3	100385591	CONTROL BOARD	APX0400
3	100385592	CONTROL BOARD	APX0500
3	100385593	CONTROL BOARD	APX0650
3	100385594	CONTROL BOARD	APX0800
3	100385596	CONTROL BOARD	APX1000
4	100330279*	DISPLAY ASSEMBLY INTERFACE	ALL
5	100208563*	SENSOR, INLET	ALL
6	100208558*	SENSOR, OUTLET	ALL
-	100330186*	SENSOR, FLUE W/ GROMMET	ALL
7	100208381*	SWITCH, AIR PRESSURE (NO SWITCH FOR 500, sfjksanfkdnsnfksa.bnfnjkewhmf650, OR 1000 MODELS)	APX0400 & APX0800
8	100208242	SWITCH, POWER ON/OFF	ALL
9	100208509	PUMP RELAY	ALL
10	100340202	TRANSFORMER, 120 X 24V, 100VA, 50/60 HZ	ALL
-	100276808	K,SWITCH, LIMIT, HI, 115 DEG	ALL
GAS TRAIN			
11	100330187	FAN W/ GASKETS	APX0400-0500

PLEASE HAVE SERIAL NUMBER AVAILABLE WHEN ORDERING PARTS
*ITEMS DENOTE SUGGESTED INVENTORY PARTS

ITEM NO.	PART NO.	DESCRIPTION	MODEL
GAS TRAIN (CONTINUED)			
11	100330188	FAN W/ GASKETS	APX0650-0800
11	100330189	FAN W/ GASKETS	APX1000
12	100330192	GAS VALVE W/ GASKET	APX0400-0500
12	100172015	GAS VALVE W/ GASKET	APX0650
12	100330193	GAS VALVE W/ GASKET	APX0800-1000
13	100330194	VENTURI W/ GASKET (NATURAL GAS)	APX0400
13	100330195	VENTURI W/ GASKET (NATURAL GAS)	APX0500
13	100330196	VENTURI W/ GASKET (NATURAL GAS)	APX0650
13	100330197	VENTURI W/ GASKET (NATURAL GAS)	APX0800
13	100330199	VENTURI W/ GASKET (NATURAL GAS)	APX1000
14	100208761	GASKET, VENTURI	APX0400-0500
14	100233705	GASKET, VENTURI	APX0650-0800
14	100233698	GASKET, VENTURI	APX1000
-	100288880	O-RING, GAS VALVE	APX0400-0500
-	100288899	GASKET, G-NUT	APX0400-0500
-	100208105	GASKET, GAS VALVE / VENTURI, CORK	APX0650-1000
IGNITION & BURNER ASSEMBLIES			
15	100297132*	IGNITOR W/ GASKET & SCREWS	ALL
16	100297133*	GASKET, IGNITOR	ALL
17	100330200*	FLAME SENSOR W/ GASKET & SCREWS	ALL
18	100330341*	GASKET, FLAME SENSOR	ALL
19	100330201	SIGHT GLASS	ALL
20	100297136	GASKET, SIGHT GLASS	ALL
21	100330202	GASKET, DOOR, ROPE	ALL
22	100330209	INTAKE MANIFOLD, HEX, INLET	APX0400-0500
22	100330203	INTAKE MANIFOLD, HEX, INLET	APX0650-0800
22	100330204	INTAKE MANIFOLD, HEX, INLET	APX1000
23	100330206	INTAKE MANIFOLD GASKET	APX0400-0500
23	100330207	INTAKE MANIFOLD GASKET	APX0650-0800
23	100330208	INTAKE MANIFOLD GASKET	APX1000
24	100330210	BURNER W/ GASKETS	APX0400
24	100330211	BURNER W/ GASKETS	APX0500
24	100330212	BURNER W/ GASKETS	APX0650
24	100330213	BURNER W/ GASKETS	APX0800
24	100330214	BURNER W/ GASKETS	APX1000
25	100330215*	GASKET, BURNER	ALL
26	100330216	DOOR, BURNER	ALL
MISCELLANEOUS			
27	100330218	INSULATION, DEFLECTOR	ALL
28	100330217	INSULATION, BURNER DOOR	ALL
-	100330219	GASKET, FLUE OUTLET	APX0400-0500
-	100330220	GASKET, FLUE OUTLET	APX0650-1000
-	100330315	FLUE CLAMP RING	APX0400-0500
-	100330314	FLUE CLAMP RING	APX0650-1000
29	100330223	WATER PIPE, INLET	APX0400-0800
29	100330224	WATER PIPE, INLET	APX1000
30	100330225	WATER PIPE, OUTLET	APX0400
30	100330226	WATER PIPE, OUTLET	APX0500
30	100330227	WATER PIPE, OUTLET	APX0650
30	100330229	WATER PIPE, OUTLET	APX0800
30	100330230	WATER PIPE, OUTLET	APX1000
31	100330232	COUPLING, WATER PIPE	ALL
PLEASE HAVE SERIAL NUMBER AVAILABLE WHEN ORDERING PARTS *ITEMS DENOTE SUGGESTED INVENTORY PARTS			

ITEM NO.	PART NO.	DESCRIPTION	MODEL
MISCELLANEOUS (CONTINUED)			
32	100284709	CONDENSATE TRAP ASSEMBLY	APX0400-0650
32	100383465	CONDENSATE TRAP ASSEMBLY	APX0800-1000
33	100330234	HOSE, CONDENSATE TRAP	ALL
34	100208454	VALVE, RELIEF - 50 PSI	APX0400-0650
34	100208442	VALVE, RELIEF - 50 PSI	APX0800-1000
-	100208834	SENSOR, OUTDOOR	ALL
35	100335986	FLOW SWITCH, W/ PADDLE #2	ALL
-	100330235	HARNESS, SPARK IGNITOR	ALL
-	100208622	HARNESS, FLAME SENSOR	ALL
-	100330236	HARNESS, ELECTRODE, GROUND	ALL
-	100330237	HARNESS, COMMUNICATION CABLE	ALL
-	100376312	HARNESS, WIRE, PANEL	APX0400-0800
-	100376313	HARNESS, WIRE, PANEL	APX1000
-	100376314	HARNESS, SENSOR	ALL
-	100208808*	FUSE, 0.8A / 250V	ALL
-	100297121*	FUSE, 3.15A / 250V	ALL
-	100290102*	FUSE, 6.30A / 250V	ALL
-	100233577	AIR FILTER	ALL
-	100371406	DISPLAY TAPE SERVICE KIT	ALL
-	100307555	CIRCULATOR PUMP	APX0400-0650
-	100383467	CIRCULATOR PUMP	APX0800-1000
-	100208152	TEMPERATURE AND PRESSURE GAUGE	APX0400-0650
-	100383466	TEMPERATURE AND PRESSURE GAUGE	APX0800-1000
-	100173655	VALVE, FILL, PRESSURE	ALL
-	100270206	TW5-1 200 EXPANSION TANK	ALL
OPTION KITS			
-	100377304	KIT, OUTDOOR	APX0400-0650
-	100377311	KIT, OUTDOOR	APX0800-1000
-	100330251	KIT, LP CONVERSION (W/ LP VENTURI)	APX0400
-	100330252	KIT, LP CONVERSION (W/ LP VENTURI)	APX0500
-	100330253	KIT, LP CONVERSION (W/ LP VENTURI)	APX0650
-	100330254	KIT, LP CONVERSION (W/ LP VENTURI)	APX0800
-	100330255	KIT, LP CONVERSION (W/ LP VENTURI)	APX1000
JACKET ASSEMBLIES			
36	100335954	JACKET, TOP	APX0400-0500
36	100335955	JACKET, TOP	APX0650-0800
36	100335956	JACKET, TOP	APX1000
37	100335957	JACKET, SIDES	APX0400-0500
37	100335958	JACKET, SIDES	APX0650-0800
37	100335959	JACKET, SIDES	APX1000
38	100335981	JACKET, FRONT, LEFT	ALL
39	100330248	JACKET, FRONT, BOTTOM, RIGHT	ALL
40	100330249	JACKET, FRONT, TOP, RIGHT	ALL
41	100302180	LATCH, COMPRESSION	ALL
42	100330185	DISPLAY ASSEMBLY INTERFACE	ALL
-	100335984	COVER, CONTROL	ALL
ANNUAL PREVENTATIVE MAINTENANCE KITS			
-	100345163*	KIT, PM SERVICE	APX0400-0500
-	100345164*	KIT, PM SERVICE	APX0650-0800
-	100345165*	KIT, PM SERVICE	APX1000
PLEASE HAVE SERIAL NUMBER AVAILABLE WHEN ORDERING PARTS *ITEMS DENOTE SUGGESTED INVENTORY PARTS			

Notes

Notes

