

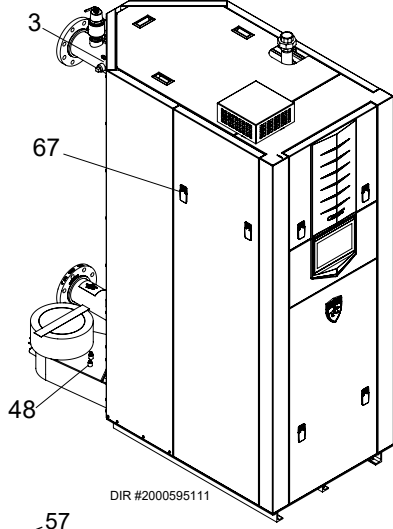


**PARTS & SERVICE DEPARTMENT**  
 Nashville, Tennessee  
 877-554-5544 • Fax: 615-882-2918  
 parts\_team@lochinvar.com  
 www.Lochinvar.com

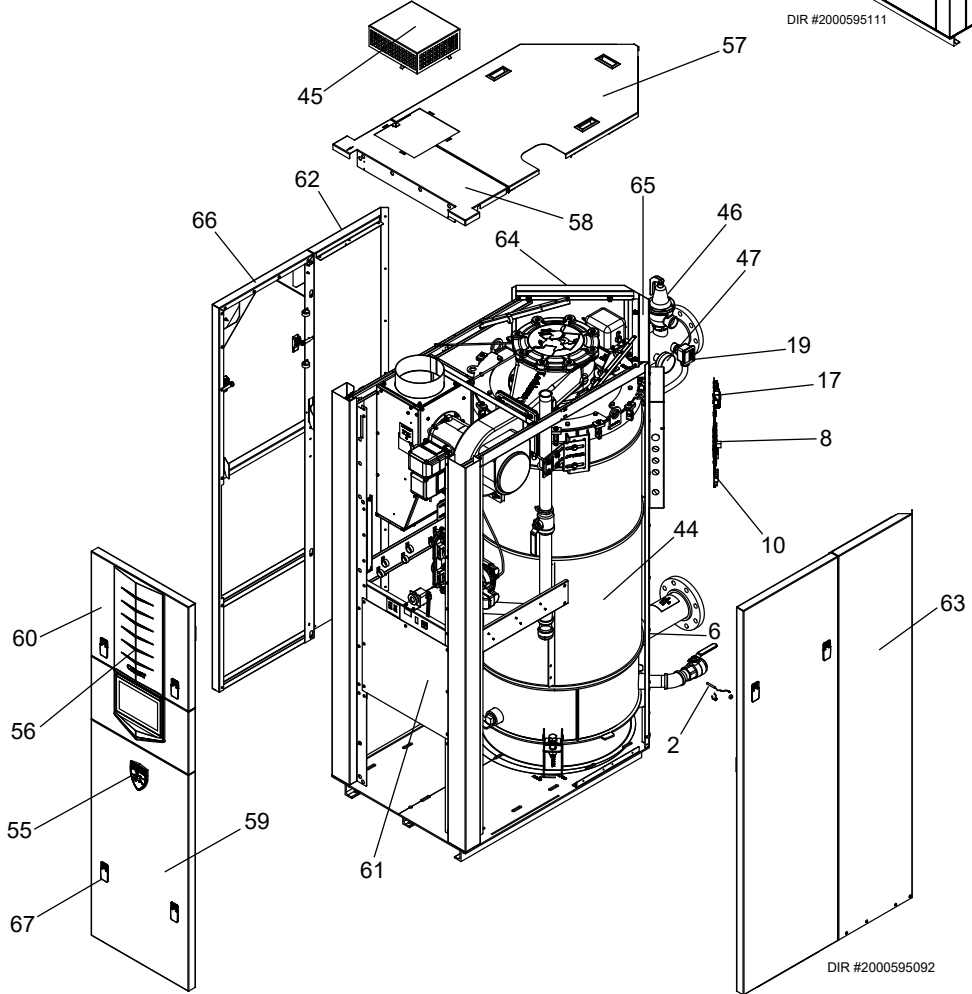
**Replacement Parts List**

**Crest®**  
**Heating Boilers**  
**FCB(N/L) 1000 - 6000**

**FCB 1000-2000**

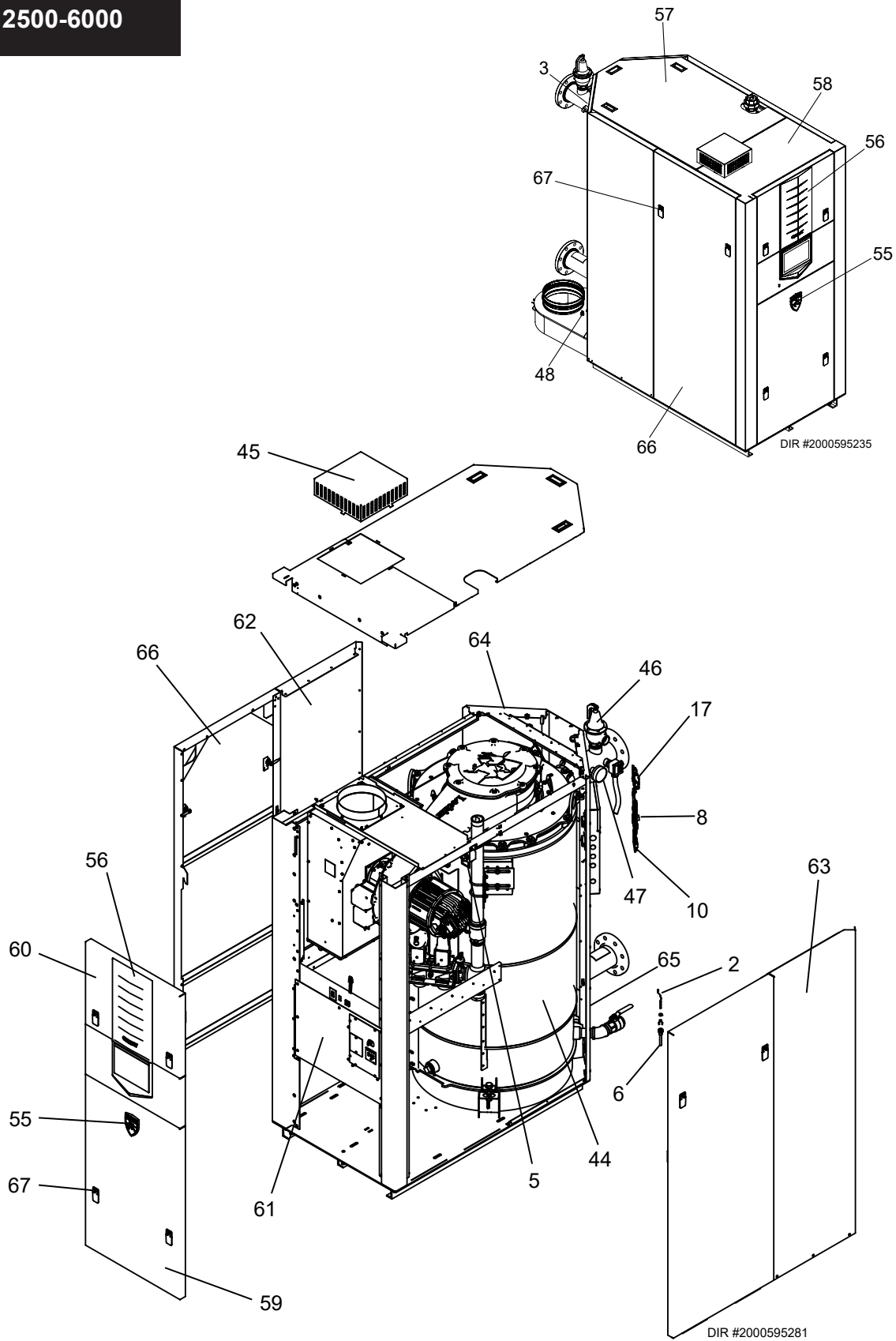


DIR #2000595111

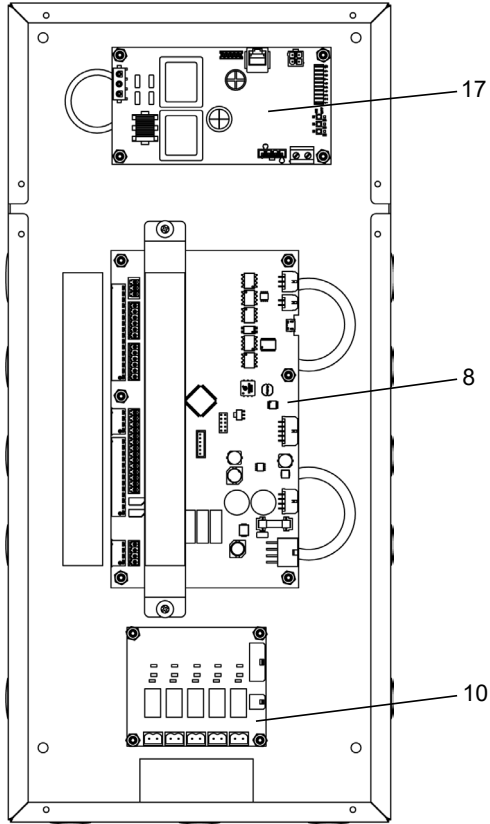


DIR #2000595092

FCB 2500-6000

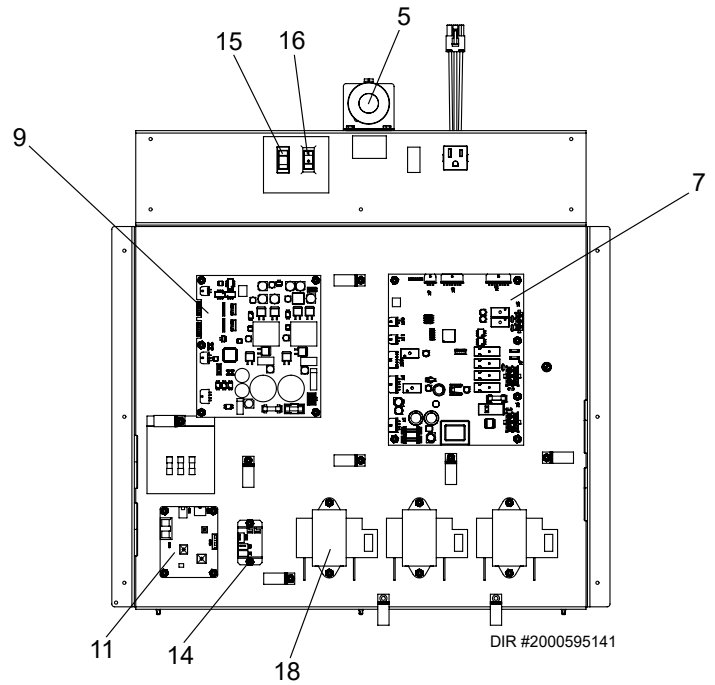


**COMFORT  
CONTROL PANEL**



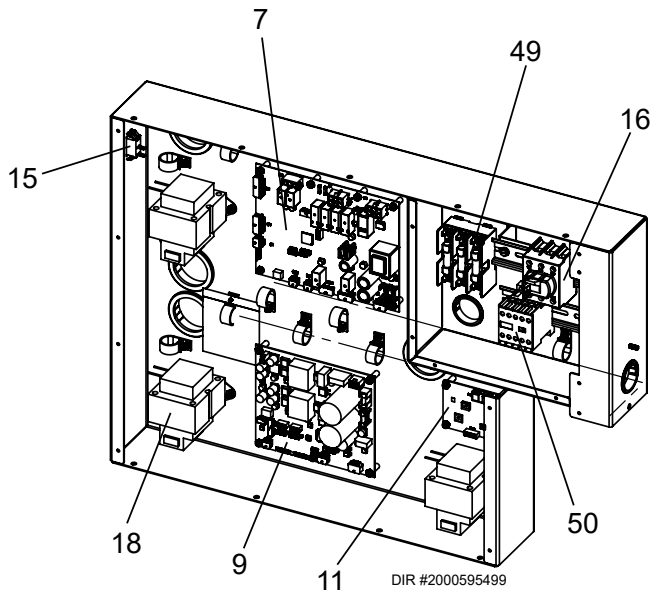
2000600584\_000

**CONTROL PANEL  
FCB 1000-2000**



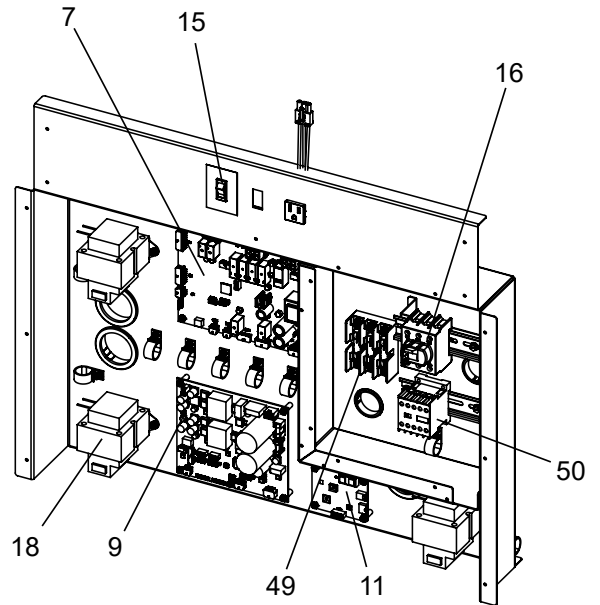
DIR #2000595141

**CONTROL PANEL  
FCB 4000-6000**



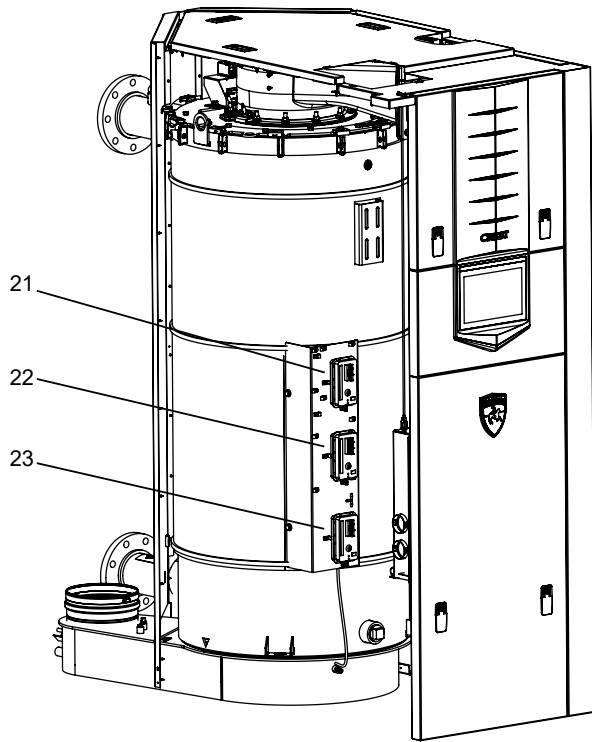
DIR #2000595499

**CONTROL PANEL  
FCB 2500-3000**



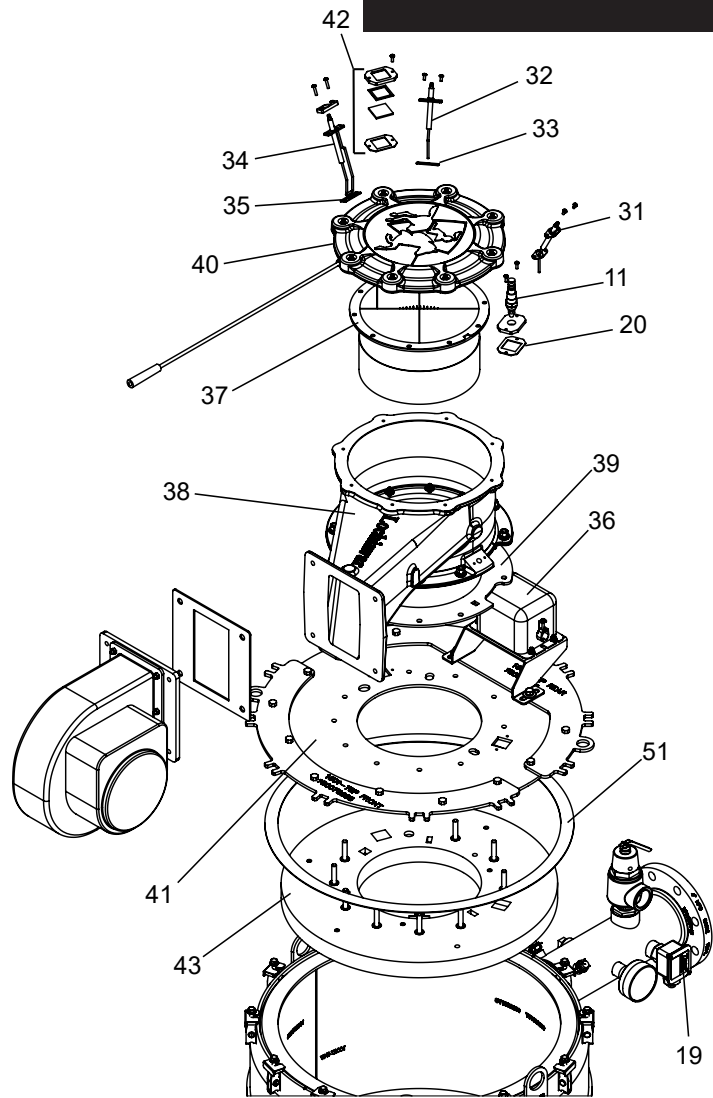
DIR #2000595499

## AIR PRESSURE SWITCHES



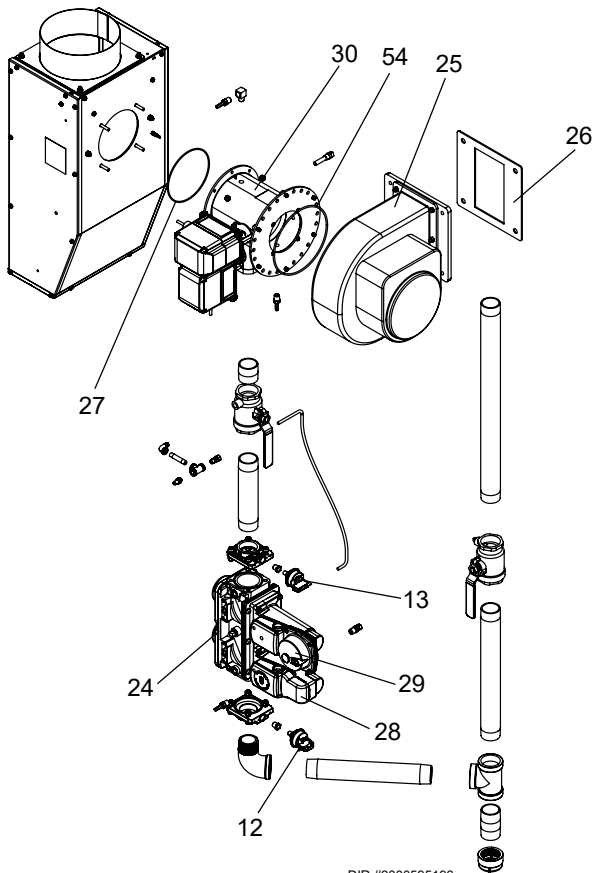
2000617321 00

## HEAT EXCHANGER



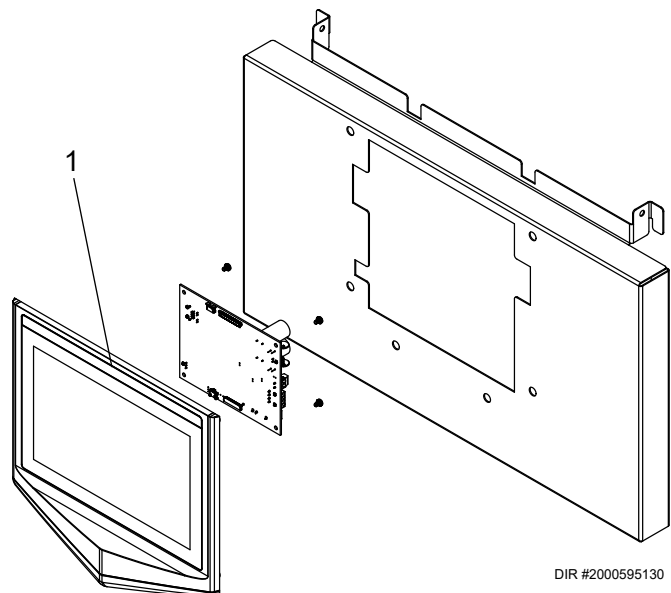
DIR #2000595224

## GAS TRAIN FCB 1000-2000



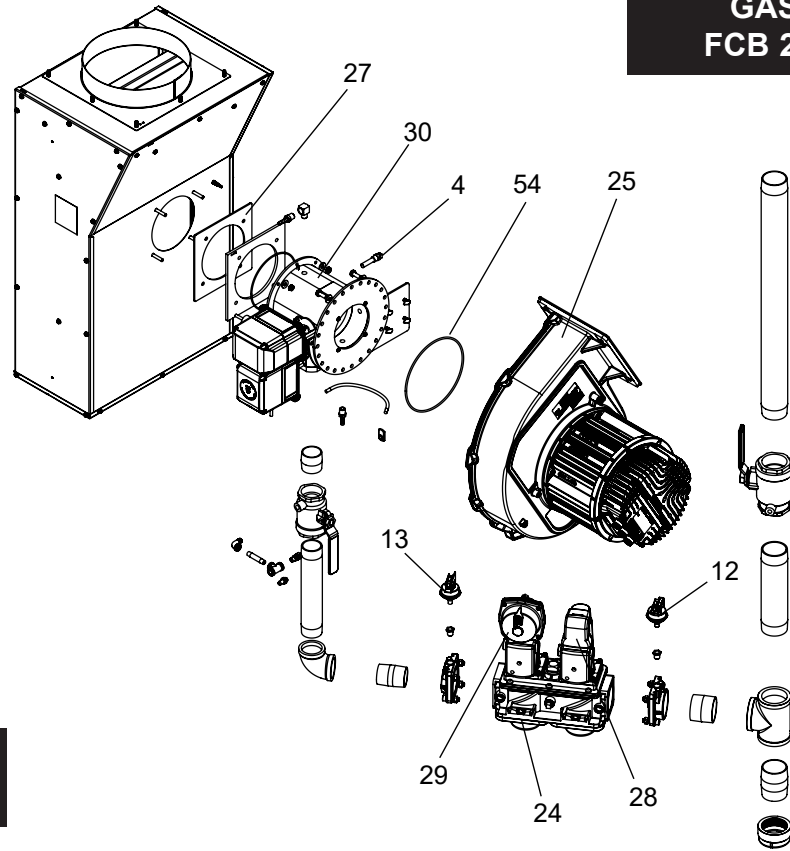
DIR #2000595196

## DISPLAY PANEL

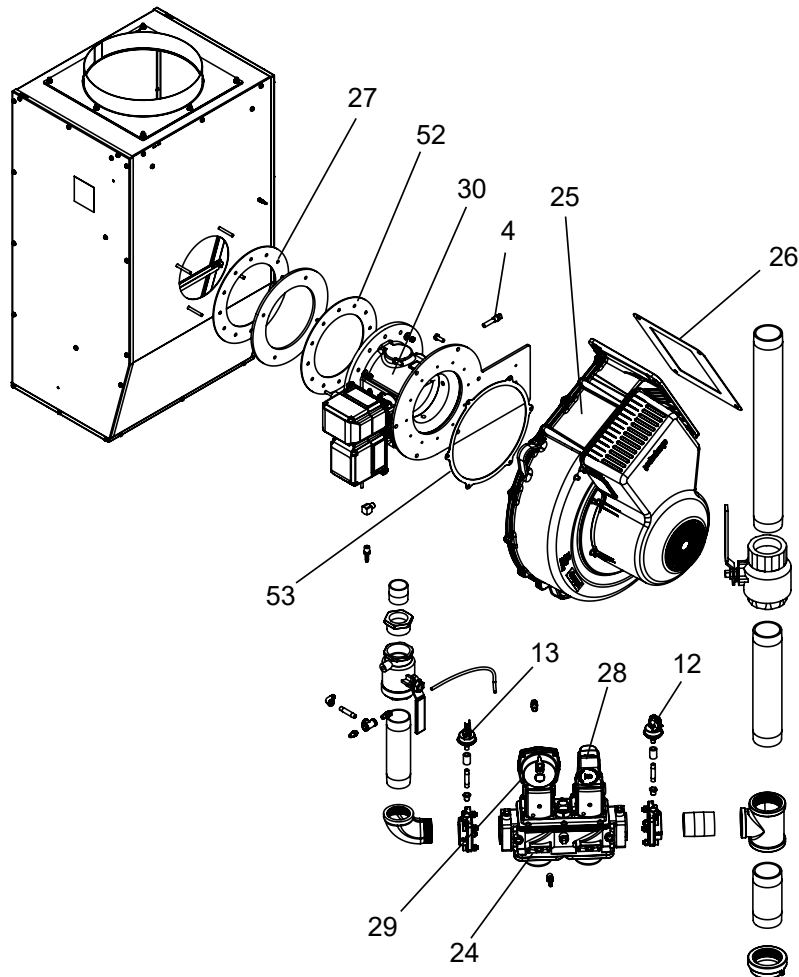


DIR #2000595130

**GAS TRAIN  
FCB 2500-3000**



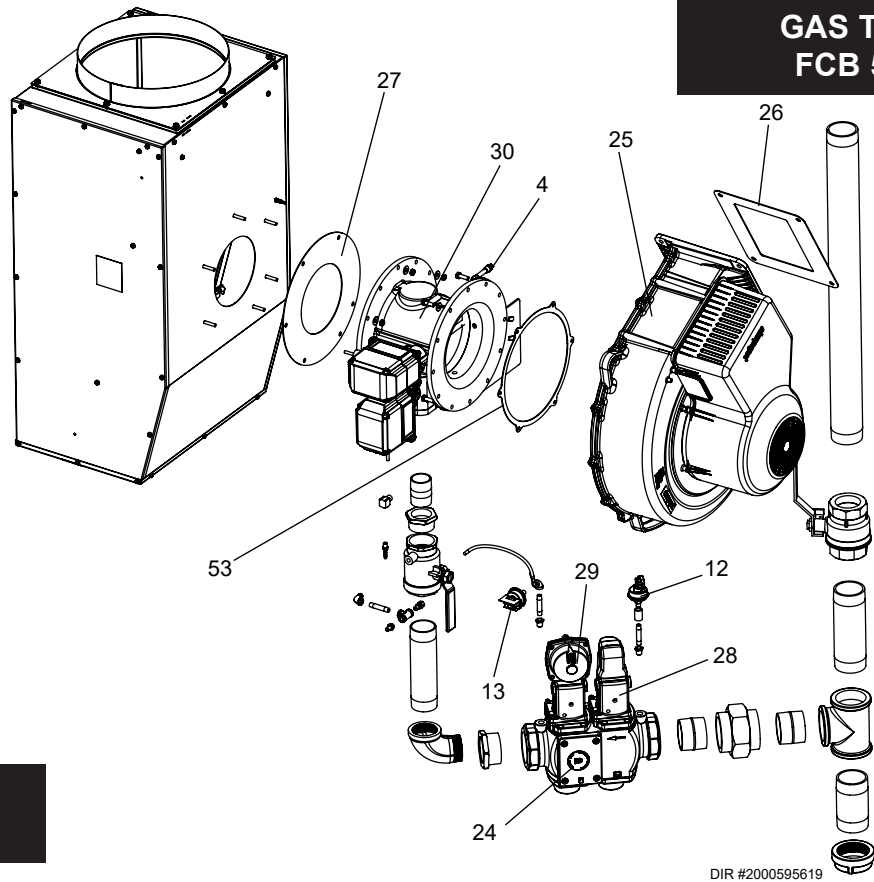
**GAS TRAIN  
FCB 4000**



DIR #2000595560

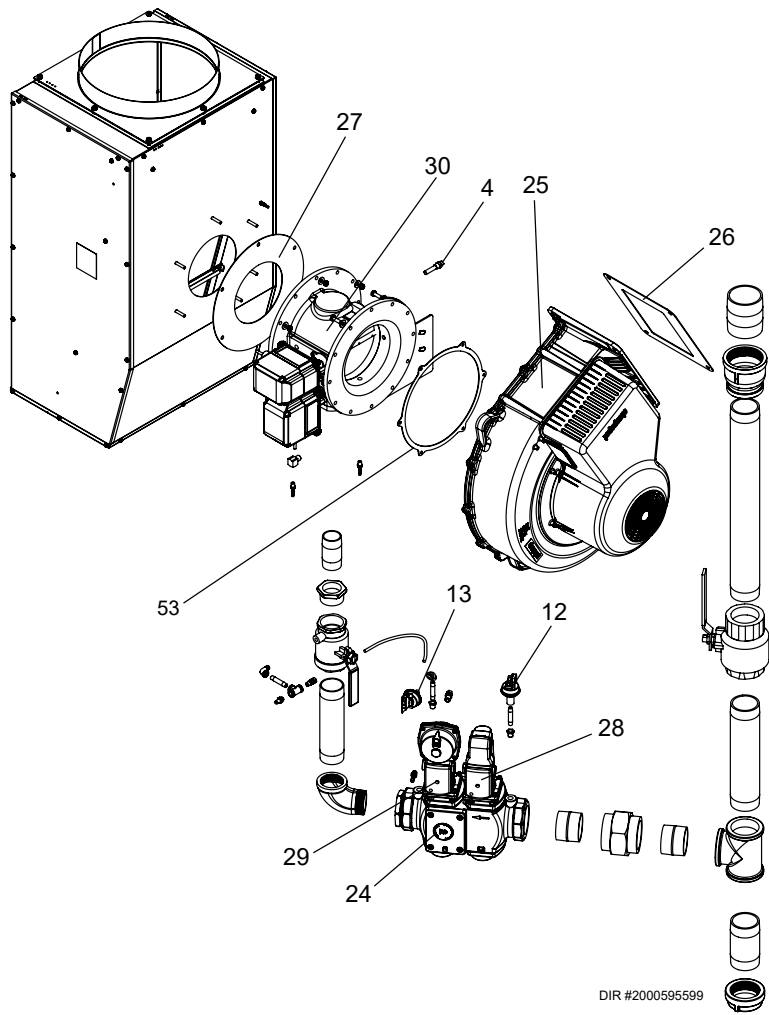
DIR #2000595669

**GAS TRAIN  
FCB 5000**



DIR #2000595619

**GAS TRAIN  
FCB 6000**



DIR #2000595599

ITEM NO.	PART NO.	DESCRIPTION	MODEL
<b>CONTROLS</b>			
1	100342826	DISPLAY INTERFACE ASSEMBLY	ALL
2	<b>100208552*</b>	SENSOR, SYSTEM / INLET	ALL
3	<b>100208557*</b>	SENSOR, DUAL OUTLET	ALL
4	100208558	SENSOR, PREMIX THERMOSTAT LIMIT	ALL
5	<b>100271315*</b>	HIGH LIMIT	ALL
6	<b>100233695*</b>	BULB WELL, SYSTEM / INLET / OUTLET	ALL
-	100233613	BULB WELL, SENSOR, PREMIX TSTAT LIMIT	ALL
7	100342629	CONTROL, BOILER	ALL
8	100342630	CONTROL, COMFORT	ALL
9	100342632	CONTROL, COMBUSTION FEEDBACK	ALL
10	100342799	CONTROL, PUMP RELAY	ALL
11	100342633	CONTROL, O2 SYSTEM	ALL
-	100342631	TERMINAL BLOCK KIT (CC BOARD & PUMP RELAY)	ALL
12	<b>100342598*</b>	LOW GAS PRESSURE SWITCH	ALL
13	100342600	HIGH GAS PRESSURE SWITCH	1000-5000
13	100342622	HIGH GAS PRESSURE SWITCH - STANDARD ALTITUDE	6000
13	100365451	HIGH GAS PRESSURE SWITCH - HIGH ALTITUDE	6000
14	<b>100342532*</b>	RELAY, 24VAC, 60HZ	1000-2000
15	100277798	MOMENTARY SWITCH, BLACK - 20 AMP, 125 VOLT	ALL
16	100271316	SWITCH, ON / OFF, RED	1000-2000
16	100274739	SWITCH, DISCONNECT	2500-6000
17	100275047	BOARD, BACNET	ALL
18	100342534	TRANSFORMER, 120 X 24V, 100VA, 50/60HZ	ALL
-	100341773	SPARK GENERATOR, DANFOSS (BEGINNING SERIAL #2102)	ALL
-	100346633	SPARK GENERATOR, RETROFIT (PRIOR TO SERIAL #2102)	1000-2000
-	100340125	SPARK GENERATOR, RETROFIT (PRIOR TO SERIAL #2102)	2500-6000
19	100320791	LOW WATER CUT OFF PROBE	ALL
20	100342800	MOUNT, O2 SENSOR SIGHT GLASS	ALL
-	100342536	FUSE SET	4000-6000
21	100208390	BLOCKED FILTER PRESSURE SWITCH - 0.15" WATER COLUMN	ALL
22	100208407	AIR PROVING SWITCH - 0.55" WATER COLUMN	1000
22	100347119	AIR PROVING SWITCH - 1.0" WATER COLUMN	1500
22	100288430	AIR PROVING SWITCH - 0.75" WATER COLUMN	2000
22	100288429	AIR PROVING SWITCH - 3.90" WATER COLUMN	2500-3000
22	100289706	AIR PROVING SWITCH - 2.5" WATER COLUMN	4000-5000
22	100362028	AIR PROVING SWITCH - 1.5" WATER COLUMN	6000
23	100208400	BLOCKED VENT PRESSURE SWITCH - 3.20" WATER COLUMN (PRE SERIAL #2246)	1000-1500
23	100276801	BLOCKED VENT PRESSURE SWITCH - 6.20" WATER COLUMN (PRE SERIAL #2246)	2000, 6000
23	100289700	BLOCKED VENT PRESSURE SWITCH - 5.80" WATER COLUMN (PRE SERIAL #2246)	2500N
23	100208398	BLOCKED VENT PRESSURE SWITCH - 7.05" WATER COLUMN (PRE SERIAL #2246)	2500L, 3000
23	100166254	BLOCKED VENT PRESSURE SWITCH - 5.30" WATER COLUMN (PRE SERIAL #2246)	4000-5000
23	100288429	BLOCKED VENT PRESSURE SWITCH - 3.90" WATER COLUMN (POST SERIAL #2246)	1000-2000
23	100166254	BLOCKED VENT PRESSURE SWITCH - 5.30" WATER COLUMN (POST SERIAL #2246)	2500, 4000N
23	100276801	BLOCKED VENT PRESSURE SWITCH - 6.20" WATER COLUMN (POST SERIAL #2246)	3000, 5000L
23	100208398	BLOCKED VENT PRESSURE SWITCH - 7.05" WATER COLUMN (POST SERIAL #2246)	4000L, 5000N
23	100362300	BLOCKED VENT PRESSURE SWITCH - 8.75" WATER COLUMN (POST SERIAL #2305)	6000
23	100288428	BLOCKED VENT PRESSURE SWITCH - 7.75" WATER COLUMN (POST SERIAL #2305) (HIGH ALTITUDE MODELS ONLY)	6000N
<b>GAS TRAIN ASSEMBLY</b>			
24	100342634	GAS VALVE BODY	1000-3000
24	100342794	GAS VALVE BODY	4000
24	100342792	GAS VALVE BODY	5000-6000

**PLEASE HAVE MODEL AND SERIAL NUMBER WHEN ORDERING PARTS**  
**\*ITEMS DENOTE SUGGESTED INVENTORY PARTS**

ITEM NO.	PART NO.	DESCRIPTION	MODEL
<b>GAS TRAIN ASSEMBLY (CONTINUED)</b>			
25	100073294	FAN ASSEMBLY	1000
25	100267460	FAN ASSEMBLY	1500-2000
25	100144990	FAN ASSEMBLY	2500-3000
25	100304907	FAN ASSEMBLY	4000-6000
26	<b>100208089*</b>	GASKET, BLOWER	1000
26	<b>100277796*</b>	GASKET, BLOWER	1500-2000
-	<b>100274709*</b>	GASKET, BLOWER	2500-3000
26	<b>100304945*</b>	GASKET, BLOWER	4000-6000
27	100342812	GASKET, FAN / AIRBOX	1000-2000
27	100342815	GASKET, FAN / AIRBOX	2500-3000
27	100342818	GASKET, FAN / AIRBOX	4000-6000
28	100342793	ACTUATOR, GAS VALVE	ALL
29	100342624	ACTUATOR, GAS VALVE	ALL
30	100342626	INTAKE ASSEMBLY	1000
30	100342625	INTAKE ASSEMBLY	1500-2500
30	100342827	INTAKE ASSEMBLY	3000
30	100342813	INTAKE ASSEMBLY	4000
30	100342814	INTAKE ASSEMBLY	5000-6000
-	100342627	FLANGE, GAS VALVE SIEMENS	1500-2000
-	100342628	FLANGE, GAS VALVE SIEMENS	1000
-	100342795	FLANGE, 1NPT, SIEMENS, VGD20	1000
-	100342797	FLANGE, 1-1/2NPT, SIEMENS, VGD20	1500-3000
-	100342798	FLANGE, 2NPT, SIEMENS, VGD20	4000
-	100347212	O-RING, 145.7MM X 140.9MM	1500
-	100360917	O-RING, 3/32MM X 1-15/16MM	ALL
-	100342819	GASKET, VALVE, AIR, INTAKE, SIEMENS, 137MM	4000
<b>PILOT &amp; BURNER ASSEMBLIES</b>			
31	<b>100073343*</b>	FLAME SENSOR W/ GASKET	1000-2000
32	<b>100279407*</b>	FLAME SENSOR W/ GASKET, REAR (QTY 2 REQ FOR 2500-6000 MODELS)	ALL
33	100304988	GASKET, FLAME SENSOR	ALL
33	100322257	GASKET, FLAME SENSOR	1000-2000
34	<b>100073342*</b>	IGNITOR W/ GASKET	1000
34	<b>100265150*</b>	IGNITOR W/ GASKET	1500-2000
34	<b>100340123*</b>	IGNITOR W/ GASKET	2500-6000
35	100322258	GASKET, IGNITOR	1000
35	100277932	GASKET, IGNITOR	1500-2000
35	100305001	GASKET, IGNITOR	2500-6000
36	100341773	SPARK GENERATOR, DANFOSS	ALL
37	100072641	BURNER ASSEMBLY W/ GASKETS	1000
37	100073281	BURNER ASSEMBLY W/ GASKETS	1500
37	100073283	BURNER ASSEMBLY W/ GASKETS	2000
37	100305002	BURNER ASSEMBLY W/ GASKETS	2500
37	100305003	BURNER ASSEMBLY W/ GASKETS	3000
37	100305005	BURNER ASSEMBLY W/ GASKETS	4000
37	100305007	BURNER ASSEMBLY W/ GASKETS	5000
37	100305006	BURNER ASSEMBLY W/ GASKETS	6000
38	100073768	GAS / AIR MANIFOLD W/ GASKET	1000
38	100073794	GAS / AIR MANIFOLD W/ GASKET	1500-2000
38	100305008	GAS / AIR MANIFOLD W/ GASKET	2500
38	100328345	GAS / AIR MANIFOLD W/ GASKET	3000
38	100305009	GAS / AIR MANIFOLD W/ GASKET	4000-6000
<b>PLEASE HAVE MODEL AND SERIAL NUMBER WHEN ORDERING PARTS</b>			
<b>*ITEMS DENOTE SUGGESTED INVENTORY PARTS</b>			

ITEM NO.	PART NO.	DESCRIPTION	MODEL
<b>PILOT &amp; BURNER ASSEMBLIES (CONTINUED)</b>			
39	<b>100305010*</b>	GASKET, MANIFOLD	2500-3000
39	<b>100305011*</b>	GASKET, MANIFOLD	4000
40	100288523	COVER, MANIFOLD	1000-2000
-	100326229	GASKET, MANIFOLD COVER	2500-3000
-	100326272	GASKET, MANIFOLD COVER	4000-6000
-	<b>100277962*</b>	GASKET, MANIFOLD COVER	ALL
-	<b>100277963*</b>	GASKET, BURNER MANIFOLD	1000-2000
-	100318503	GASKET, BURNER MANIFOLD	2500-3000
-	100318505	GASKET, BURNER MANIFOLD	4000-6000
41	100075413	HEAT EXCHANGER DOOR ASSEMBLY	1000
41	100267481	HEAT EXCHANGER DOOR ASSEMBLY	1500
41	100267483	HEAT EXCHANGER DOOR ASSEMBLY	2000
41	100305012	HEAT EXCHANGER DOOR ASSEMBLY	2500-3000
41	100305015	HEAT EXCHANGER DOOR ASSEMBLY	4000
41	100305016	HEAT EXCHANGER DOOR ASSEMBLY	5000
41	100305017	HEAT EXCHANGER DOOR ASSEMBLY	6000
<b>MISCELLANEOUS</b>			
-	100343192	FILTER, AIR, 1" X 10" X 24"	1000
-	100343193	FILTER, AIR, 1" X 12" X 24"	1500-2000
-	100343194	FILTER, AIR, 1" X 18" X 30"	2500-3000
-	100343195	FILTER, AIR, 1" X 20" X 36"	4000-6000
42	100311165	SIGHT GLASS KIT	ALL
43	100288673	FIBERBOARD, BURNER	1000
43	100288675	FIBERBOARD, BURNER	1500
43	100288677	FIBERBOARD, BURNER	2000
43	100304818	FIBERBOARD, BURNER	2500-3000
43	100304820	FIBERBOARD, BURNER	4000
43	100304861	FIBERBOARD, BURNER	5000
43	100304862	FIBERBOARD, BURNER	6000
44	100288680	INSULATION, HEX WRAP	4000
44	100288682	INSULATION, HEX WRAP	5000
44	100289400	INSULATION, HEX WRAP	6000
44	100304863	INSULATION, HEX WRAP	2500-3000
44	100304866	INSULATION, HEX WRAP	4000
44	100304867	INSULATION, HEX WRAP	5000
44	100304864	INSULATION, HEX WRAP	6000
	100304868	INSULATION, HEX TOP	2500-3000
	100304870	INSULATION, HEX TOP	4000
	100304871	INSULATION, HEX TOP	5000
	100304872	INSULATION, HEX TOP	6000
-	100233667	GASKET, SIGHT GLASS TOP	ALL
45	100296212	AIR INLET COVER	2500-3000
45	100300992	AIR INLET COVER	4000
45	100294193	AIR INLET COVER	5000-6000
46	100274781	PRESSURE RELIEF VALVE, 1-1/2" X 1-1/4", 50 PSI	2500-3000
46	100274786	PRESSURE RELIEF VALVE, 2", 50 PSI	5000
46	100289694	PRESSURE RELIEF VALVE, 2" X 2-1/2", 50 PSI	6000
46	100208448	PRESSURE RELIEF VALVE, 1" X 1-1/4", 50 PSI	1000-2000
47	<b>100376494*</b>	GAUGE, T&P, 0-75 PSI, 50-320F, 2.5" x 1/2", IP65	ALL

**PLEASE HAVE MODEL AND SERIAL NUMBER WHEN ORDERING PARTS**  
**\*ITEMS DENOTE SUGGESTED INVENTORY PARTS**

ITEM NO.	PART NO.	DESCRIPTION	MODEL
<b>MISCELLANEOUS (CONTINUED)</b>			
48	100208561*	SENSOR, FLUE TEMP	ALL
-	100277718*	CONDENSATE TRAP	1000-6000
-	100208809*	FUSE - 1.6 AMP / 250 VOLT	ALL
-	100208231*	FUSE - 3.15 AMP / 250 VOLT	ALL
-	100208232*	FUSE - 5 AMP / 250 VOLT	ALL
-	100277805*	FUSE - 30 AMP / 480 VOLT, CLASS G	2500-6000
49	100277773	FUSE BLOCK - 480 VOLT, 30 AMP	2500-6000
50	100342537	CONTACTOR, 24V	2500-6000
-	100277806	USB CABLE	ALL
-	100277807*	GASKET, AIR INLET COVER	1000-2500
-	100277719*	GASKET, AIR INLET COVER	3000
-	100277777*	GASKET, AIR INLET COVER	4000
-	100277778*	GASKET, AIR INLET COVER	5000-6000
51	100289493*	KIT, GASKET SET (SIGHT GLASS / AIR MANIFOLD / HEX PLATE)	1000
51	100289495*	KIT, GASKET SET (SIGHT GLASS / AIR MANIFOLD / HEX PLATE)	1500
51	100289497*	KIT, GASKET SET (SIGHT GLASS / AIR MANIFOLD / HEX PLATE)	2000
51	100304873*	KIT, GASKET SET (SIGHT GLASS / AIR MANIFOLD / HEX PLATE)	2500-3000
51	100304875*	KIT, GASKET SET (SIGHT GLASS / AIR MANIFOLD / HEX PLATE)	4000
51	100304876*	KIT, GASKET SET (SIGHT GLASS / AIR MANIFOLD / HEX PLATE)	5000
51	100304877*	KIT, GASKET SET (SIGHT GLASS / AIR MANIFOLD / HEX PLATE)	6000
-	100208834	OUTDOOR AIR SENSOR	ALL
-	100277791	CONDENSATE HOSE, 3/8"	ALL
-	100277792	CONDENSATE HOSE, 1"	ALL
-	100274793	SILICONE TUBING, 1/8"	ALL
-	100208336	ALUMINUM TUBING, 1/4"	ALL
-	100274737	ANTENNA, USB ADAPTER, WIRELESS	ALL
-	100289696	CABLE, USB 2.0 - 12"	ALL
-	100289697	CABLE, USB 2.0 - 60"	ALL
-	100288513	PANEL MOUNTING CABLE	ALL
-	100294590	PLATE ASSEMBLY, INLET ADAPTER	ALL
-	100276810	CABLE, RIBBON	ALL
-	100397462	KIT, HARNESS, SPARK ELECTRODE, DANFOSS	ALL
52	100342819	GASKET, AIR INTAKE VALVE	4000
53	100342820	GASKET, FAN, AIR DAMPER	4000-6000
54	100233705	GASKET, FAN, AIR DAMPER	1000
54	100342821	GASKET, FAN, AIR DAMPER	1500-3000
55	100342824	BADGE, LOCHINVAR SHIELD	ALL
56	100342825	BEZEL, TOP	ALL
<b>JACKET ASSEMBLIES</b>			
57	100371441	JACKET, TOP REAR	1000
57	100371442	JACKET, TOP REAR	1500-2000
57	100371443	JACKET, TOP REAR	2500-3000
57	100371444	JACKET, TOP REAR	4000
57	100371445	JACKET, TOP REAR	5000
57	100371446	JACKET, TOP REAR	6000
-	100371447	JACKET, TOP MIDDLE	4000
<b>PLEASE HAVE MODEL AND SERIAL NUMBER WHEN ORDERING PARTS</b>			
<b>*ITEMS DENOTE SUGGESTED INVENTORY PARTS</b>			

ITEM NO.	PART NO.	DESCRIPTION	MODEL
<b>JACKET ASSEMBLIES (CONTINUED)</b>			
-	100371742	JACKET, TOP MIDDLE	5000
-	100371744	JACKET, TOP MIDDLE	6000
58	100371745	JACKET, TOP FRONT	4000
58	100371746	JACKET, TOP FRONT	5000
58	100371448	JACKET, TOP FRONT	6000
59	100371449	JACKET, FRONT LOWER DOOR	1000-2000
59	100371450	JACKET, FRONT LOWER DOOR	2500-3000
59	100371452	JACKET, FRONT LOWER DOOR	4000
59	100371453	JACKET, FRONT LOWER DOOR	5000-6000
60	100371454	JACKET, FRONT UPPER DOOR	1000-2000
60	100371455	JACKET, FRONT UPPER DOOR	2500-3000
60	100371456	JACKET, FRONT UPPER DOOR	4000
60	100371457	JACKET, FRONT UPPER DOOR	5000-6000
61	100371460	COVER, CONTROL PANEL	1000-2000
61	100371462	COVER, CONTROL PANEL	2500-3000
61	100371463	COVER, CONTROL PANEL	4000-6000
62	100371464	JACKET, LEFT SIDE	1500-2000
62	100371465	JACKET, LEFT SIDE	2500-3000
62	100371466	JACKET, LEFT SIDE	4000
62	100371467	JACKET, LEFT SIDE	5000
62	100371468	JACKET, LEFT SIDE	6000
63	100371469	JACKET, RIGHT SIDE	1500-2000
63	100371470	JACKET, RIGHT SIDE	2500-3000
63	100371491	JACKET, RIGHT SIDE	4000
63	100371495	JACKET, RIGHT SIDE	5000
63	100371496	JACKET, RIGHT SIDE	6000
64	100371498	JACKET ASSEMBLY, LEFT ANGLE	1000
64	100371500	JACKET ASSEMBLY, LEFT ANGLE	1500-2000
64	100371521	JACKET ASSEMBLY, LEFT ANGLE	2500-3000
64	100371522	JACKET ASSEMBLY, LEFT ANGLE	4000
64	100371525	JACKET ASSEMBLY, LEFT ANGLE	5000
64	100371527	JACKET ASSEMBLY, LEFT ANGLE	6000
65	100371529	JACKET ASSEMBLY, RIGHT ANGLE	1000
65	100371530	JACKET ASSEMBLY, RIGHT ANGLE	1500-2000
65	100371531	JACKET ASSEMBLY, RIGHT ANGLE	2500-3000
65	100371519	JACKET ASSEMBLY, RIGHT ANGLE	4000
65	100371520	JACKET ASSEMBLY, RIGHT ANGLE	5000
65	100371561	JACKET ASSEMBLY, RIGHT ANGLE	6000
66	100371565	JACKET ASSEMBLY, SIDE DOOR	1000
66	100371564	JACKET ASSEMBLY, SIDE DOOR	1500-2000
66	100371565	JACKET ASSEMBLY, SIDE DOOR	2500-6000
67	100342623	COMPRESSION LATCH ASSEMBLY	ALL
<b>ANNUAL PREVENTATIVE MAINTENANCE KITS</b>			
-	<b>100320689*</b>	KIT, PREVENTATIVE MAINTENANCE SERVICE	1000
-	<b>100320691*</b>	KIT, PREVENTATIVE MAINTENANCE SERVICE	1500
-	<b>100320693*</b>	KIT, PREVENTATIVE MAINTENANCE SERVICE	2000
-	<b>100320694*</b>	KIT, PREVENTATIVE MAINTENANCE SERVICE	2500
<b>PLEASE HAVE MODEL AND SERIAL NUMBER WHEN ORDERING PARTS</b>			
<b>*ITEMS DENOTE SUGGESTED INVENTORY PARTS</b>			

ITEM NO.	PART NO.	DESCRIPTION	MODEL
<b>ANNUAL PREVENTATIVE MAINTENANCE KITS (CONTINUED)</b>			
-	100320695*	KIT, PREVENTATIVE MAINTENANCE SERVICE	3000
-	100320697*	KIT, PREVENTATIVE MAINTENANCE SERVICE	4000
-	100320698*	KIT, PREVENTATIVE MAINTENANCE SERVICE	5000
-	100320699*	KIT, PREVENTATIVE MAINTENANCE SERVICE	6000

**PLEASE HAVE MODEL AND SERIAL NUMBER WHEN ORDERING PARTS**  
**\*ITEMS DENOTE SUGGESTED INVENTORY PARTS**